

## 1901 Maxlok

Steel - Brazier head

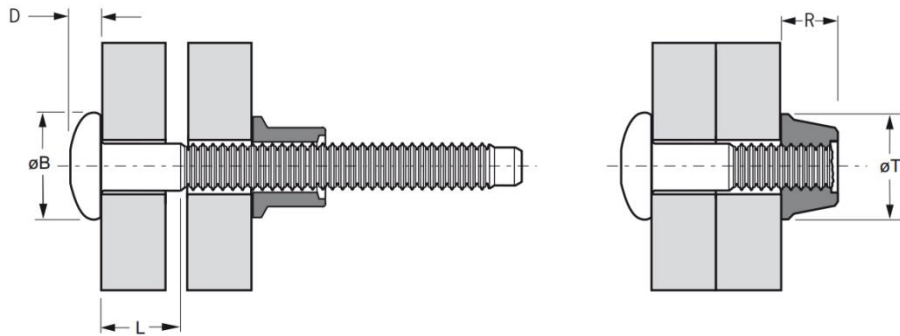
4.8 mm (3/16") - 6.4 mm (1/4")

### Features

- Multi grip capability reduces inventory, simplifies stock control, and accommodates wide variations in material thickness
- High shear strength for high strength assembly
- High, controlled clamp provides excellent vibration resistance
- Quick to install across a wide range of applications
- Easy to inspect tampering
- High security tamper resistance - TIR approved

### Material

- Pin: Medium carbon steel, zinc plated, clear trivalent passivated
- Collar: Low carbon steel, zinc plated, clear trivalent passivated



Part No. Pin	Part No. Collar	Size ø			Hole Size	øB	D	L	R	øT	Shear (typical) kN	Tension (typical) kN
		nom.	min.	max.								
01901-70610	01981-70600	4.8	1.6	15.9	5.16	10.1	3.2	2.3	8.7	10.1	8.25	10.01
01901-70620		(3/16")	7.9	31.7				8.4				
01901-70810	01981-70800	6.4	1.6	15.9	6.75	13.3	3.9	2.2	13.5	13.2	11.79	16.01
01901-70820		(1/4")	7.9	31.7				9.1				

### Assembly Applications

- Commercial vehicles
- Heating and ventilation
- Frame building

